



Tiger Lifting



www.tigerlifting.com

Tiger

Home of the Tiger hoisting range & Tiger subsea lifting products

Tiger Adjustable Trolley Plain Trolley – APT, Geared Trolley - AGT



Main Features

- Fitted with a screw spindle which allows easy adjustment and high clamping force to the various flange sizes within its capacity
- Designed to provide smooth and easy traversing
- The anti-drop plates design ensures extra safety, and also prevents damage to wheels when contacting end rail stoppers
- Wheels run on sealed ball bearings for smoother rolling with less effort and maintenance
- Plain Trolley Range from 1.0t to 10.0t. Geared trolley available as 6t or 10t unit
- Operating temperature of -30°C to +50°C (temperature range of -50°C to +50°C available as an option)
- The 5:1 factor of safety allows for use with manual or powered hoists





Tiger Lifting



www.tigerlifting.com

Tiger

Home of the Tiger hoisting range & Tiger subsea lifting products

These units meet and exceed all the requirements within BS EN 13157: 2004+A1:2009 and AS1418.2.

Certification:

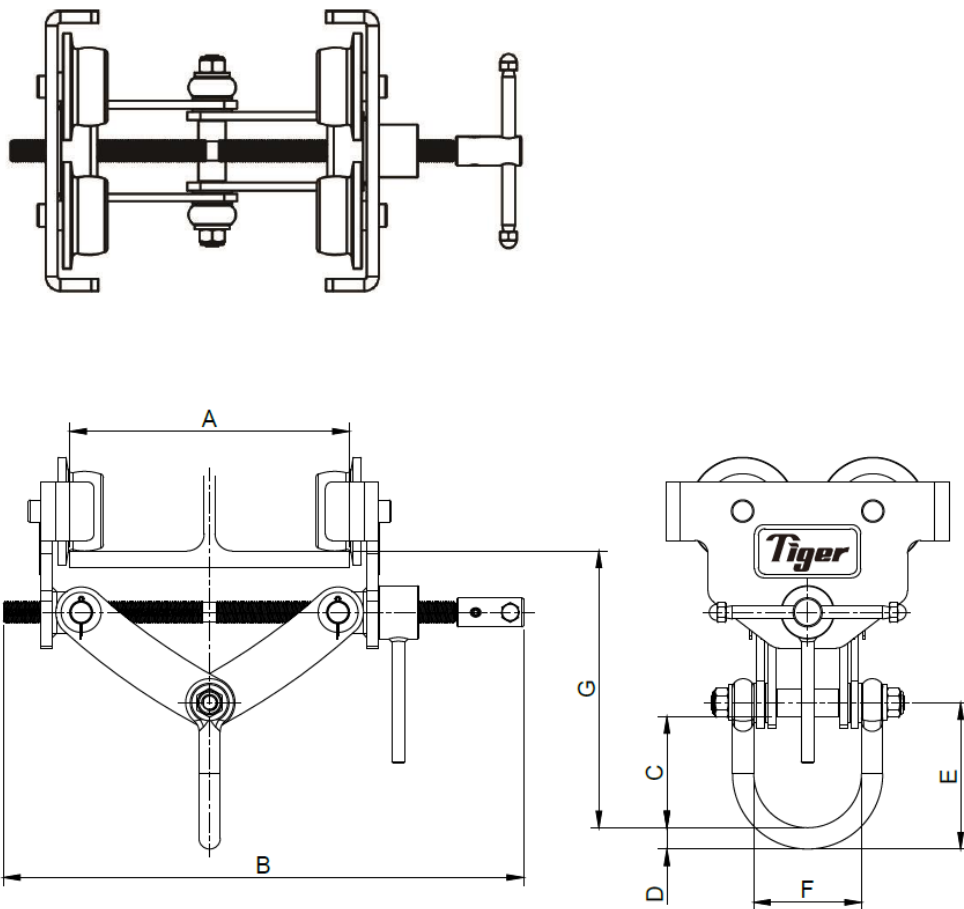
Each unit comes fully certified with a test certificate or an EC Declaration of Conformity stating compliance with the essential health and safety requirements of the Machinery Directive 2006/42/EC.

Technical Data

| Product Code | Capacity (tonne) | A Track width range (mm) | Dimensions (mm) | | | | | | Min. curve ratio (m) | Net Weight (kg) |
|--------------|------------------|--------------------------|-----------------|-------|----|-------|-----|---------|----------------------|-----------------|
| | | | B | C | D | E | F | G | | |
| APT-0100 | 1.0 | 75-210 | 391 | 83.5 | 16 | 110 | 81 | 255-208 | 1.0 | 9.6 |
| APT-0200 | 2.0 | 75-210 | 391 | 94.5 | 18 | 123 | 89 | 276-227 | 1.3 | 13.5 |
| APT-0300 | 3.0 | 75-210 | 403 | 105.5 | 22 | 141 | 112 | 288-241 | 1.5 | 23 |
| APT-0600 | 6.0 | 105-305 | 521 | 111 | 27 | 151.5 | 125 | 358-290 | 1.5 | 35.5 |
| AGT-0600 | 6.0 | 105-305 | 521 | 111 | 27 | 151.5 | 125 | 358-290 | 1.5 | 40.1 |
| APT-1000 | 10.0 | 160-305 | 606 | 119 | 32 | 170 | 83 | 400-340 | 2.7 | 118 |
| AGT-1000 | 10.0 | 160-305 | 606 | 119 | 32 | 170 | 83 | 400-340 | 2.7 | 221 |

Technical Drawings

1.0t-6.0t Adjustable Plain Trolley





Tiger Lifting

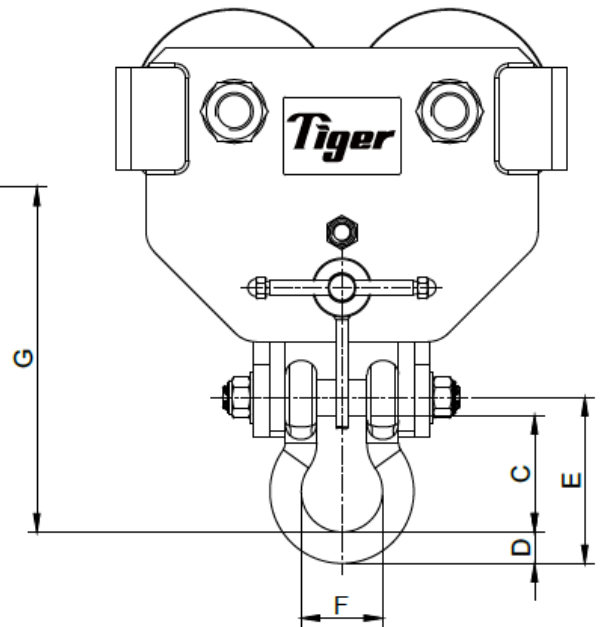
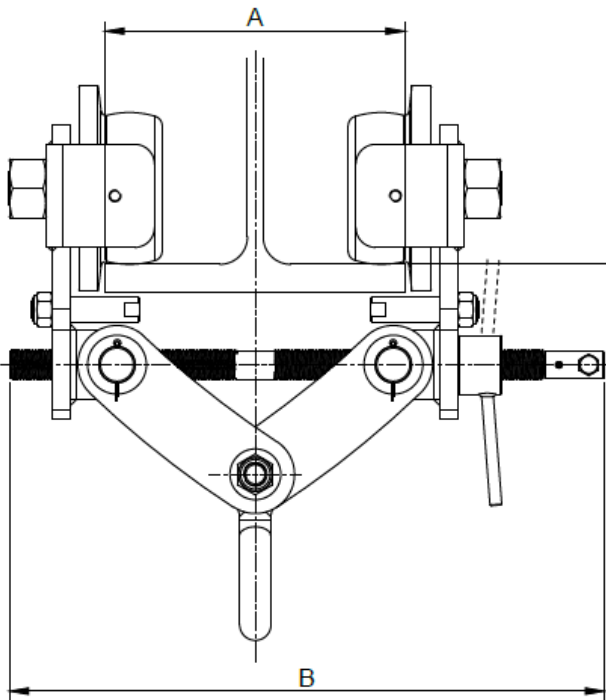
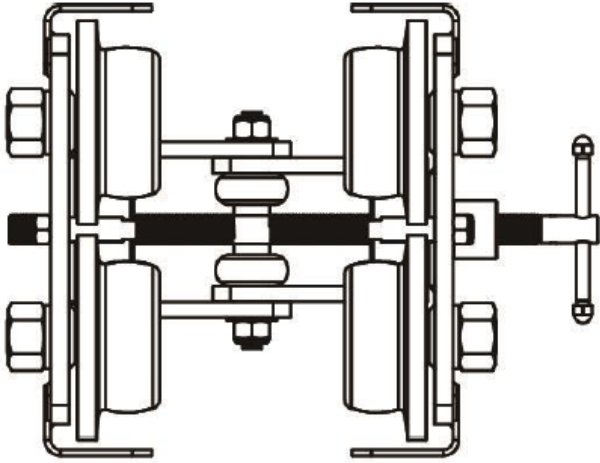


www.tigerlifting.com

Tiger

Home of the Tiger hoisting range & Tiger subsea lifting products

10t Adjustable Plain Trolley





Tiger Lifting

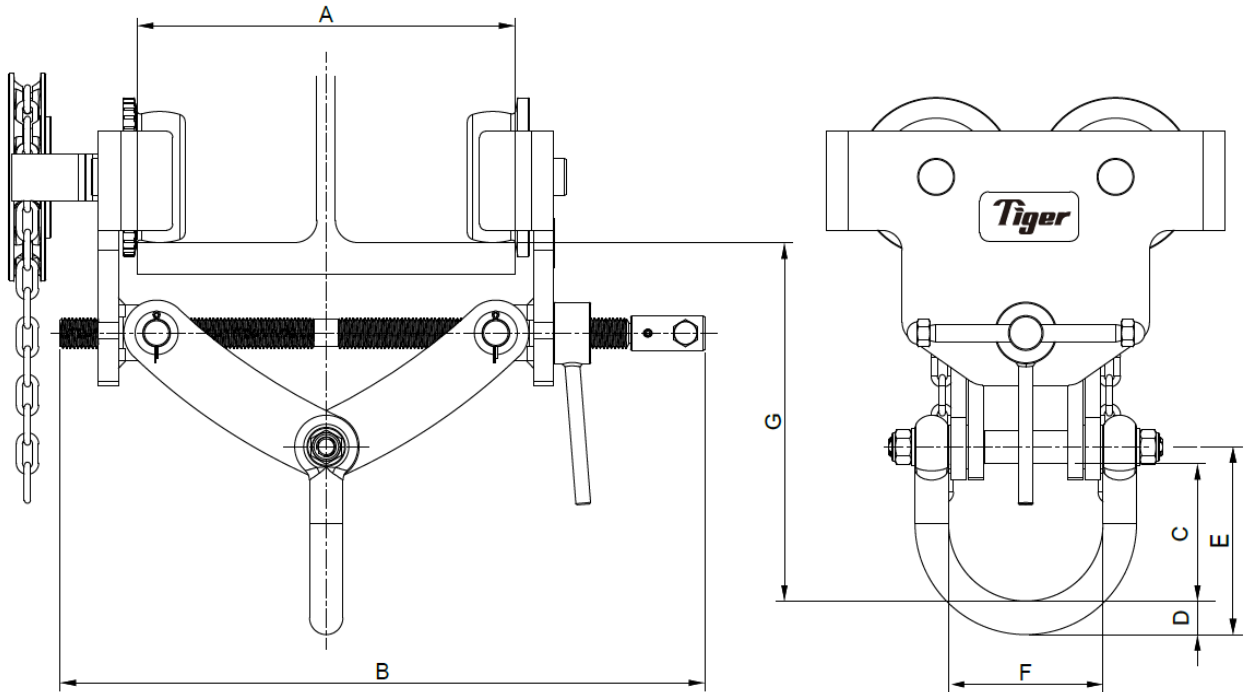


www.tigerlifting.com

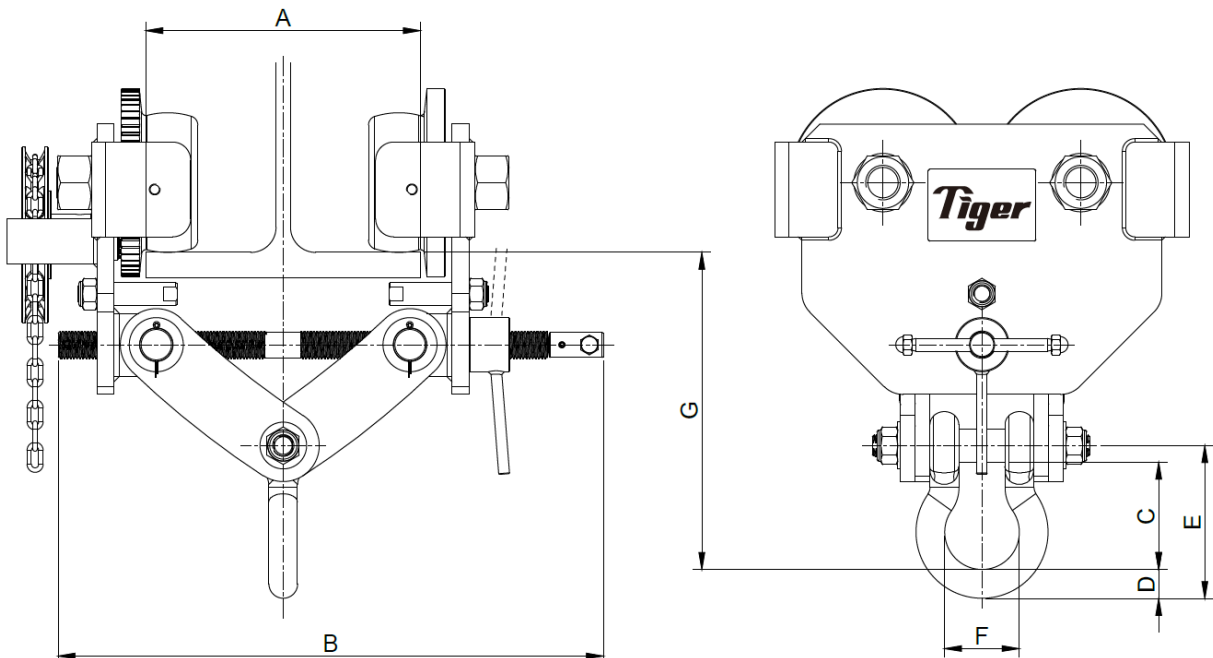
Tiger

Home of the Tiger hoisting range & Tiger subsea lifting products

6t Adjustable Geared Trolley



10t Adjustable Geared Trolley



Due to our policy of continual product development, dimensions, weights and specifications may change without prior notice. Please check with your Tiger sales team when ordering.





Tiger Lifting



www.tigerlifting.com

Tiger

Home of the Tiger hoisting range & Tiger subsea lifting products

Picture Gallery



1t APT Plain/Push Adjustable trolley



6t AGT Geared Adjustable trolley



10t AGT Geared Adjustable trolley

